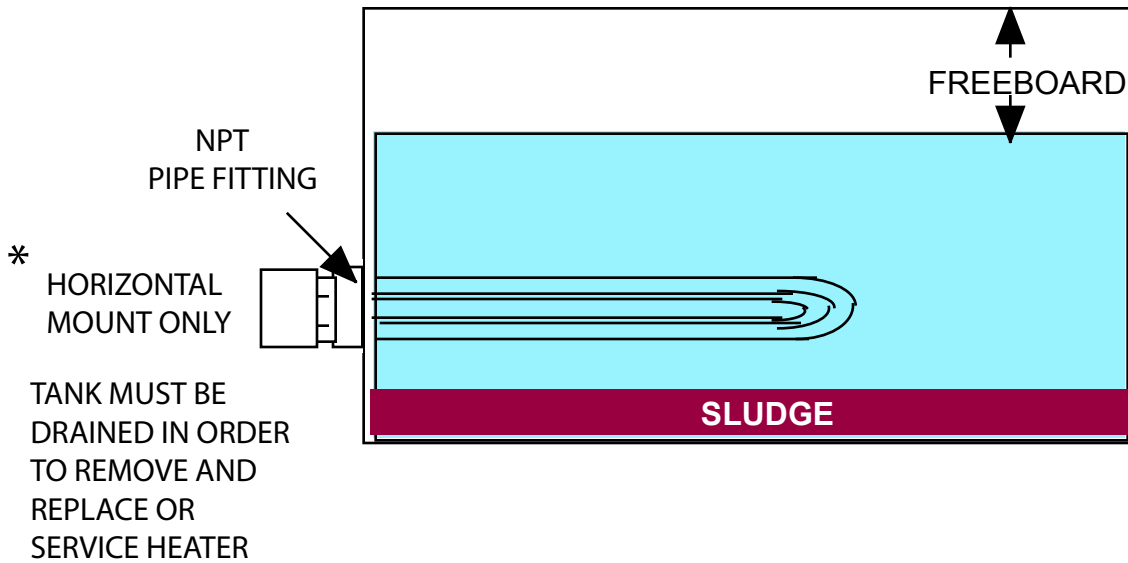


SCREW PLUG & FLANGED HEATER TANK PLACEMENT

* MOUNT HEATER IN LOWER PORTION OF TANK ABOVE POSSIBLE SLUDGE LEVELS

SCREW PLUG

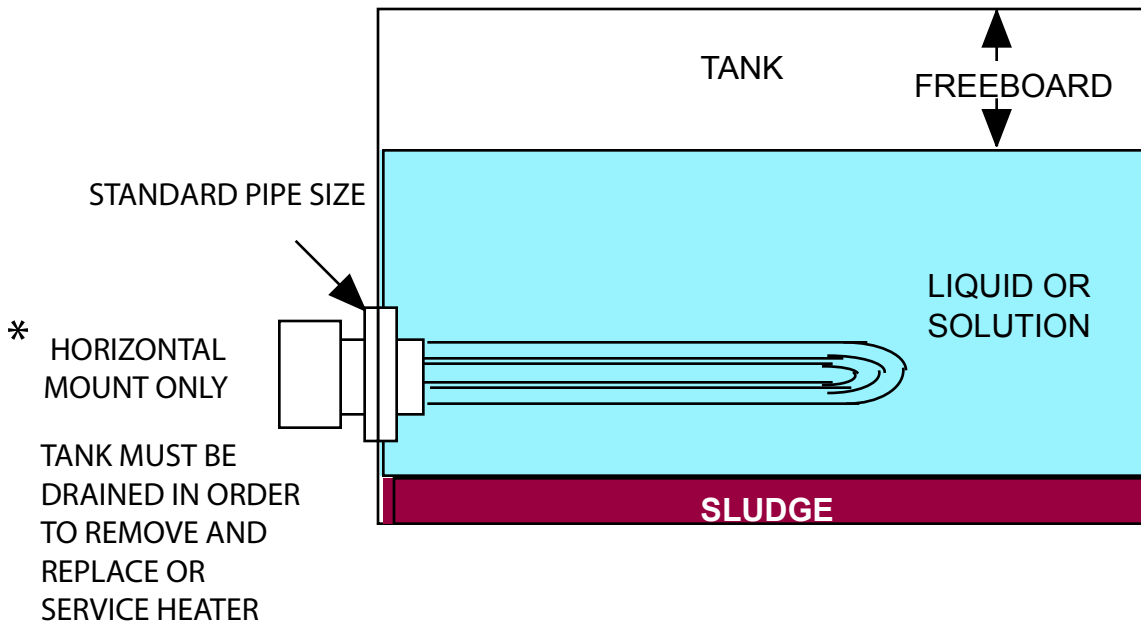


IDEAL FOR APPLICATION WHERE "TANK TOP" ACCESS IS LIMITED FOR HEATER PLACEMENT.

GOOD FOR TANKS WITH FLUCTUATING LEVELS.

GOOD FOR CLOSED OR PRESSURIZED SYSTEMS

FLANGED



BEST SUITED FOR CHEMICAL STORAGE TANKS WHERE CHEMICAL LEVELS ARE DRAWN DOWN WITH USEAGE

FOR CLOSED OR PRESSURIZED SYSTEMS